



# FARMALL JX

75 – 100 HP TRACTORS



## THE WORLD OF FARMING IS CHANGING.

### WILL YOU BE READY?

More from the land. More from yourself. More from your equipment. Which is why we also demand more. More powerful engines. More productivity boosting features. More approachable and knowledgeable Case IH experts. And we do all this to better serve you and the needs of your operation.

# CASE IH FARMALL JX

## THE NEXT GENERATION: VERSATILE, AGILE, POWERFUL

More than 175 years of experience in agriculture has given Case IH a clear insight into farmers' needs. We understand what it takes to help you produce food, fuel, energy; and we do our utmost to bring you the technology to make that happen. That's why we've worked with our customers to create a new range of utility tractors, putting characteristics like manoeuvrability, visibility and handling at the top of the features list. The result is the new Farmall JX.

MODELS	Rated Horsepower ECE R120	Max Torque (Nm @ rpm)	Minimum speed (kph)	Weight ROPS 2WD / 4WD (kg)	Weight cab 2WD / 4WD (kg)
Farmall JX 75	75	298 @ 1400	1.82	3000 / 3450	3300 / 3600
Farmall JX 90	88	356 @ 1400	1.82	3000 / 3450	3300 / 3700
Farmall JX 100	98	390 @ 1400	1.86	3250 / 3650	3500 / 3900
Farmall JX 110	110	430 @ 1300	1.79	- / 3650	- / 3900





### COMFORT COMES STANDARD

A new ergonomically designed cab or a no-nonsense ROPS platform configuration are available to suit your needs.

### MAXIMUM PERFORMANCE

The Farmall JX range are all powered by upgraded 8000 Series, tier 3 turbocharged engines, carefully tuned to provide optimum fuel efficiency and maximum power.

## PROUD TO DRIVE A FARMALL JX



## INCREASED POWER

The Farmall JX range features a range topping 110 horsepower model offering an entirely new level of power and performance.

## LOADERS FIT FOR EVERY TASK

The Farmall JX series is compatible with a range of loaders, offering you time and labour saving advantages. Perfect for livestock operations.

## MULTITASKING FLEXIBILITY WITH NEW POWERSHUTTLE TRANSMISSION

The new shuttle option is perfect for loader work in livestock applications, offering smooth direction changes and increased productivity.





## TAKE A WALK AROUND

### EASY ACCESS AND A GREAT VIEW

Slim pillars, large mirrors and a broad windscreen mean that, with a Farmall JX, the view to loaders and trailed or mounted implements is among the best in this horsepower sector.

### ERGONOMICS

Logically-positioned controls with clear, concise instrumentation are part of the package that make tasks less arduous when working with a Farmall JX. Levers and switches fall easily to hand, making operation instinctive after only a short time at the steering wheel.

### POWERSHUTTLE

The standard hydraulic Powershuttle makes for easy forward / reverse maneuvering, especially during loader work.





### **ALL-ROUND VISION**

The new, standard, high visibility roof screen for the Farmall JX makes it well-suited to loader work, while a revised lighting package turns night into day when working on after dark. The worklights are integrated into the roof for protection, yet are fully adjustable.

### **HIGH-CAPACITY HYDRAULICS AND PTO**

Farmall JX tractors benefit from the 51.7 litre high flow pump option and can be equipped with up to three rear remote valves. Rear linkage lift capacity is 3,565 kg. 540/1000 PTO is standard together with ground speed PTO.

### **SPEED AND SAFETY**

Two transmissions are available, a 20 x 12 creep speed transmission and a 12 x 12 Powershuttle, offering clutchless direction changes.

### **PLENTIFUL POWER**

Get reliable power, day in, day out. Simple, robust design results in trouble-free, long-life working, and reduced maintenance requirements.









# THE POWER TO PERFORM

With four models between 75 and 110 horsepower, whatever the power requirements of your business, the Farmall JX fits your needs. Economical without compromising on power and durability, Farmall JX delivers unbeatable value for money. Farmall JX tractors are powered by turbocharged and intercooled engines to give you maximum power for less fuel consumption. Up to 30% torque rise means fewer gear changes and greater efficiency, and the results speak for themselves.

## **PLENTY OF CAPACITY**

These are tractors that deliver their power precisely to where it's needed most – at the wheels, at the drawbar, at the link ends, at the PTO and through the hydraulics.

## **EASY MAINTENANCE**

Engine oil checks are possible without lifting the hood. The single-piece bonnet gives easy access to the cooling package for cleaning purposes. The optional dust ejector extends the service interval of the air filter.

## **BIG FUEL TANK CAPACITY FOR LONGER WORKING DAYS**

The Farmall JX range comes standard with a big 110 litre fuel tank, ensuring you stay productive so the working day is not interrupted by the need to refuel.



## TRANSMISSION AND PTO

The Farmall JX Range has a 12 x 12 hydraulic Powershuttle transmission to suit any application. Gear speeds are spaced to have a steady progression between ranges and be fully compatible with operations around the yard, in the field or on road transport.

### MORE WORKING CHOICE

For specialist applications, optional creep speed provides an additional eight forward speeds resulting in 250 metres per hour at rated engine speed. During operation, these ratios are engaged and disengaged by a separate lever transforming Farmall JX into the ideal vegetable planting or harvesting machine.

### EXCEL AT HANDLING

The hydraulic Powershuttle is particularly useful for the repetitive forward and reverse driving in loader applications. When equipped with a front end loader from the Case IH loader range, your Farmall JX will excel at lifting and handling big bales or other bulk materials to make light work of the biggest task.

### PTO EFFICIENCY

PTO speed selection is courtesy of an easy to reach lever, with a choice between a mechanical or hydraulically assisted PTO engagement. A PTO with 540/1000 rpm working speed is standard, and suits all applications. Groundspeed PTO is standard throughout the range.



### **PUTTING POWER RIGHT WHERE IT'S REQUIRED.**

The Farmall JX provides fuel efficiency matched by a powerful engine and proven transmission. Hydraulic pump output is up to 51.7 l/min, and up to three rear remote valves are available, with a standard mid-mount connection for loader operation.

### **EFFICIENT FIELD PERFORMANCE.**

For impressive in-field traction, and safety when operating on slopes, the Case IH 4WD front axle is unbeatable. In loose soils or wet conditions, the limited slip differential, acting on front axle and automatic differential lock at the rear axle, will ensure you keep moving.

## **RUGGED AND RELIABLE**





### **MOVE CONFIDENTLY**

A dedicated high flow steering pump enables confident operation. In and around farm buildings the tight turning axle delivers a minimum of 5.3 m turn radius and easy manoeuvrability.

### **LOADER OPTION**

Case IH offers a range of loaders to suit the Farmall JX and your operation.

### **FAST AND SAFE**

For additional assurance of safe stopping in all conditions, a braked front axle is optional on all 4WD models.

### **EASY HITCH CONTROL**

The robust rear 3 point hitch is capable of lifting and handling implements of up to 3,565 kg with ease. Depending on the nature of your work, separate levers allow the setting of hitch position and draft control for soil engaging implements, or any mix of the two.







## TAKE A SEAT

### THE COMFORT ZONE

With wide-opening, solid glass doors and anti-slip steps, it's easy to get in and out of a Farmall JX. All essential controls are logically positioned and within easy reach to make time spent at work more comfortable and more productive.

The driving comfort required to make day-long multi-tasking a pleasure is the focus of the Farmall JX design. One look at the new Farmall JX and it's instantly recognisable as a Case IH tractor. It's styled just like its bigger brothers – and with good reason. Climb in, sit down, shut the door and turn the key, and you'll start to see why. It means you get a cab that's quieter – a reduction of 2 dB(A) over its predecessor – for a working environment that leaves you feeling more refreshed.

Greater use of driver modelling has produced a more ergonomic design, making those repetitive tasks a little less arduous. Externally, new worklights front and rear are integrated into the roof for protection, and are fully adjustable. In short, the whole package is designed to make you, and your business, more productive.

### SITTING IN COMFORT

Drivers of Farmall JX quickly become comfortable, and remain at their best right through the day. Seat armrests are standard equipment, the seat is readily adjusted to their needs and the air suspension smooths out the shocks from rough field conditions or road transport.

### STEERING MOUNTED SHUTTLE

The steering column-mounted hydraulic shuttle allows for direction changes without clutching, ideal for loader work, yard scraping or field tasks requiring tight headland turns – no more aching left leg muscles after a long day's work.

### LIGHTING

When a task needs completing and you have to work late, you can have complete confidence in Farmall JX tractors to help you get the job done. With up to six roof mounted worklights available to light the way, you can safely stay on until the job is done.

# MORE THAN TRACTORS TO WORK FOR YOU: WE'VE GOT PEOPLE TO WORK WITH YOU

When you buy a Case IH machine, you can be sure not only that you're buying the best product, but also that you've got the best dealer back-up behind you. Case IH dealers can offer advice on selecting the right machine, will ensure they deliver what you need when you need it, and will then continue to back you and your equipment with the service and spare parts backing you'd expect from a name as trusted as Case IH.





When you buy a Case IH machine, you can be sure not only that you're buying the best product, but also that you've got the best dealer back-up behind you. Case IH dealers can offer advice on selecting and financing the right machine, will ensure they deliver what you need when you need it, and will then continue to back you and your equipment with the service and spare parts backing you'd expect from a name as trusted as Case IH.



## SYSTEMS APPROACH

### IT'S LIKE HAVING A PARTNER BESIDE YOU ALL SEASON

Case IH has more professionals in the field working alongside producers than anyone else – two out of three Case IH employees work right where you do. Case IH dealers have the know-how to help you manage your equipment investment to get the most out of every dollar. Our parts and service technicians have the skills and expertise it takes to maintain your equipment and keep it operating at peak performance.

### OFFERING FINANCIAL SOLUTIONS FOR EVERY APPLICATION

Case IH Finance's extensive experience in the agricultural industry has created a deep understanding of your unique needs. Competitive equipment financing with flexible payments can be timed to your cash flow. Or, conserve capital and reduce upfront payments with operating lease options. For other needs, choose from commercial revolving accounts specific to the agricultural industry. We can even help you protect your equipment investment with a wide variety of insurance and equipment protection products. There are financing options that fit the way you farm. Case IH Finance helps you find them.

### STANDARD REDCOVER PLUS PROTECTION PLAN (SPP)

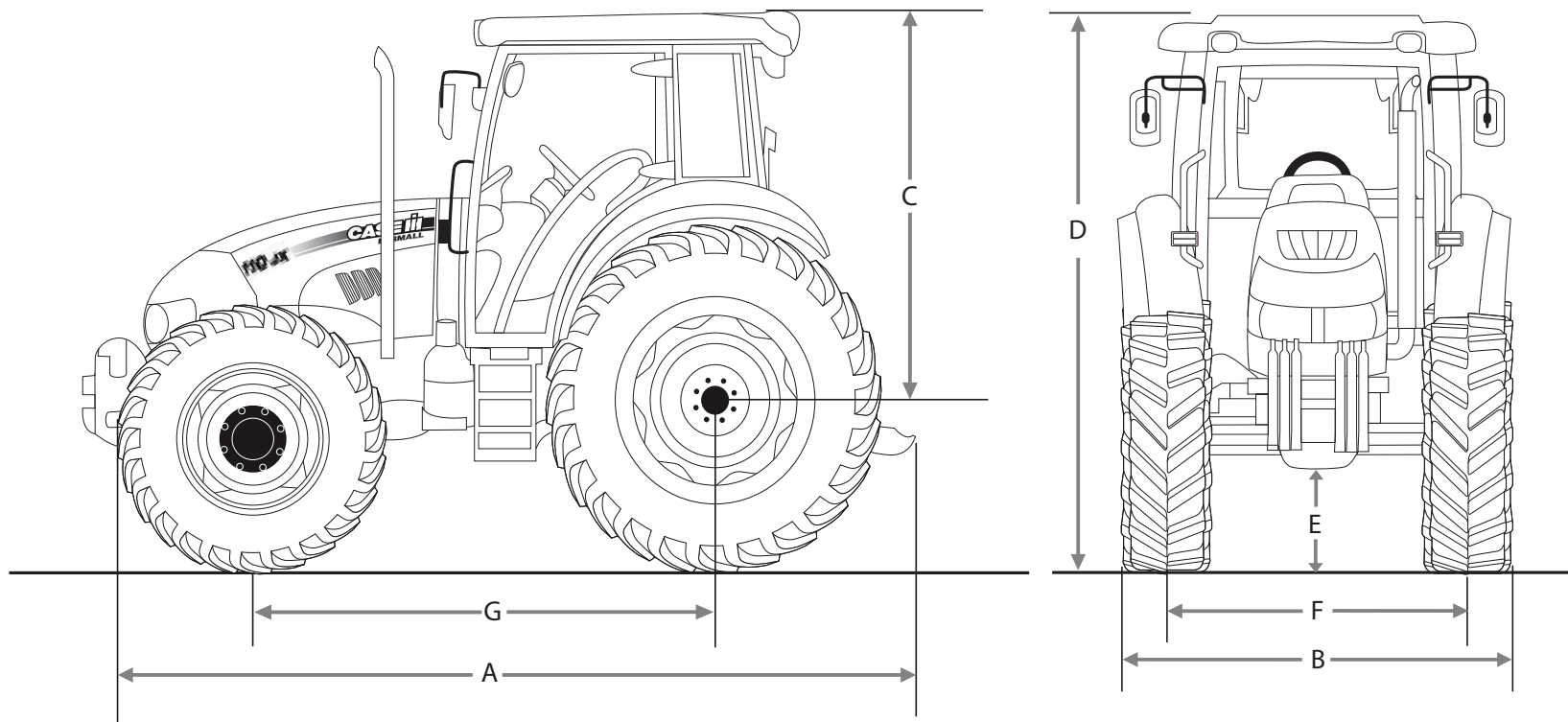
At Case IH we understand the importance of your product being serviced and maintained in good working order when it counts. We recognise you expect your product will deliver on the ever increasing productivity demands. Case IH customers deserve the additional peace of mind of knowing your product is covered should the unexpected occur with 2 years/2000 hour standard REDCover Plus Protection Plan (SPP).



CASE IH FINANCE

<b>FARMALL JX SERIES TRACTOR SPECIFICATIONS</b>	<b>75 JX</b>	<b>90 JX</b>	<b>100 JX</b>	<b>110 JX</b>
<b>ENGINE</b>				
Type	S8000			
No. of cylinders / aspiration / valves	4 / T1 / 2			
Emission level	Tier 3			
Capacity (cm3)	3908			
Rated horsepower - ISO TR14396 - ECE R120 (kW/hp)	56/75	66/88	73/98	81/110
Rated engine speed (rpm)	2300			
Max. torque - ISO TR14396 (Nm)	298@1400	356@1400	390@1400	430@1300
Fuel tank capacity (l)	110			
12x12 hydraulic Powershuttle transmission	●	●	●	●
Minimum speed (kph)	1.82	1.82	1.86	1.79
20x12 Synchro Shuttle™ transmission (optional creeper)	○	○	-	-
Minimum speed with Creeper (kph)	0.33	0.32	-	-
<b>AXLES</b>				
2WD front axle	○	○	○	-
4WD front axle	●	●	●	●
Steering angle 2WD/4WD (°)	55/40			
<b>HYDRAULICS</b>				
Pump flow (l/min)	51.7			
Steering and services pump flow (mechanical shuttle / hydraulic shuttle) (l/min)	29	28	28	28
Fast raise / lower system	●	●	●	●
Mechanical Draft Control (MDC)	●	●	●	●
<b>REMOTE VALVES</b>				
Standard rear remotes	2			
Max. no. rear remotes	3			
Standard mid mount valves with joystick	●	●	●	●
<b>LINKAGE</b>				
Max. lift capacity at ball ends (kg)	3565			
Max. lift capacity through the range (610 mm behind ball ends) (kg)	2700			
<b>PTO</b>				
Ground speed	●	●	●	●
540/1000	●	●	●	●

\*2x mid mount valves. Loader joystick integrated in RH operator console. ● Standard ○ Optional - Not available




<b>FARMALL JX SERIES TRACTOR SPECIFICATIONS</b>	<b>75 JX</b>	<b>90 JX</b>	<b>100 JX</b>	<b>110 JX</b>
<b>ENGINE</b>				
Dimensions on rear tyres	18.4R30	18.4R30	18.4R34	18.4R34
A Overall length inc. front support to rear linkage 2WD/4WD (mm)	3808/3883	3941/4044	4115	4115
B Min. width with standard fender (mm)	1910	1910	1910	1910
C Height from rear axle to top of the cab (mm)	1891	1891	1891	1891
D Min. overall height cab/ROPS (mm)	2604/2719	2604/2719	2631/2746	2657/2772
E Ground clearance under rear drawbar/hitch minimum (mm)	450	450	470	500
F Track width (min./max.) (mm)	1561/2008	1672/2000	1672/2000	1787/2180
G Wheel Base 2WD/4WD (mm)	2353/2287	2468/2402	2488/2422	-/2422
Min. weight ROPS 2WD/4WD (kg)*	3000/3450	3000/3450	3250/3650	-/3650
Min. weight CAB 2WD/4WD (kg)*	3300/3600	3300/3700	3500/3900	-/3900

\*Minimum shipping weight - typical working weight is greater.



  [www.caseih.co.nz](http://www.caseih.co.nz)

 SAFETY NEVER HURTS!™ Always read the Operator's Manual before operating any equipment. Inspect equipment before using it, and be sure it is operating properly. Follow the product safety signs, and use any safety features provided. This literature has been published for worldwide circulation. The standard and optional equipment and the availability of individual models may vary from one country to the next. Case IH reserves the right to undertake modifications without prior notice to the design and technical equipment at all times without this resulting in any obligation whatsoever to make such modifications to units already sold. Whilst every effort is made to ensure that the specifications, descriptions and illustrations in this brochure are correct at the time of going to press, these are also subject to change without prior notice. Illustrations may show optional equipment or may not show all standard equipment. Case IH recommends **AKGELA**™ lubricants. Published by CNH INTERNATIONAL SA. Communications & Advertising - Printed in New Zealand - 03/2020 - 17CIH031

**CASE IH**  
AGRICULTURE